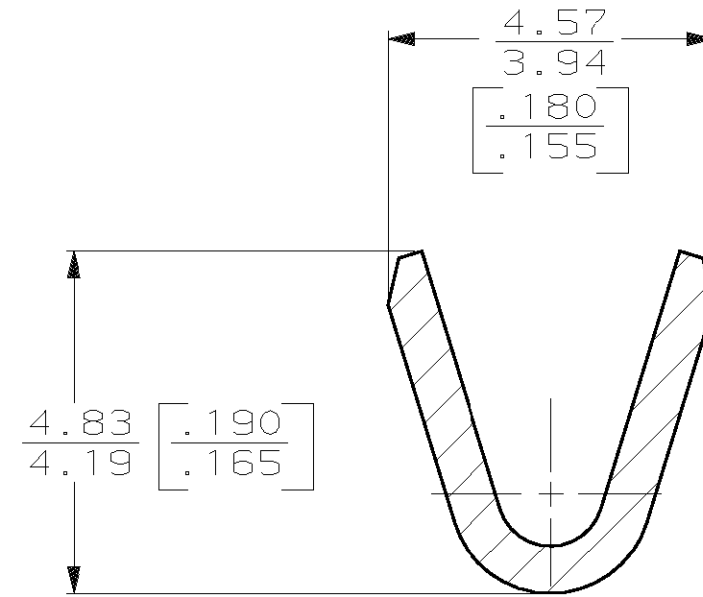
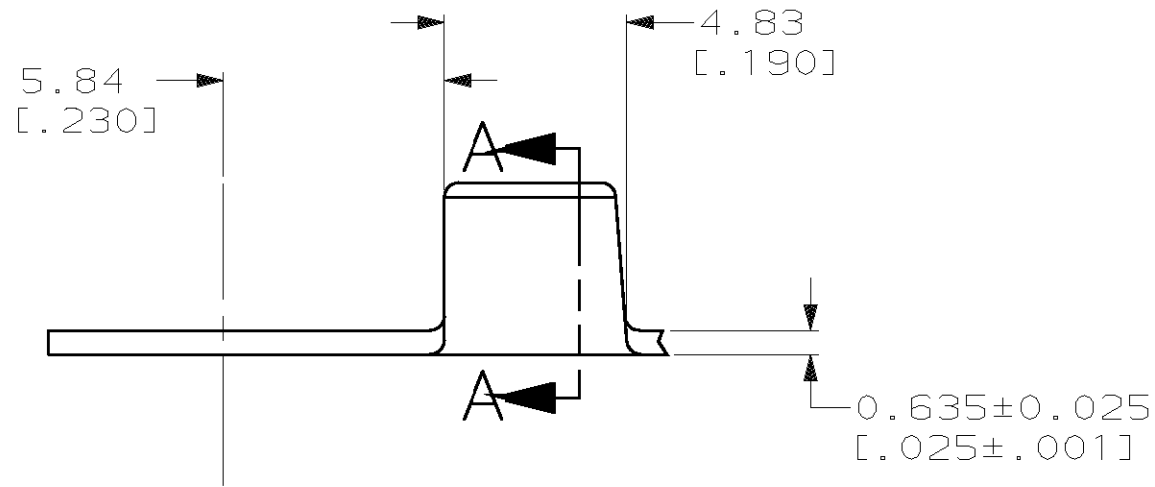
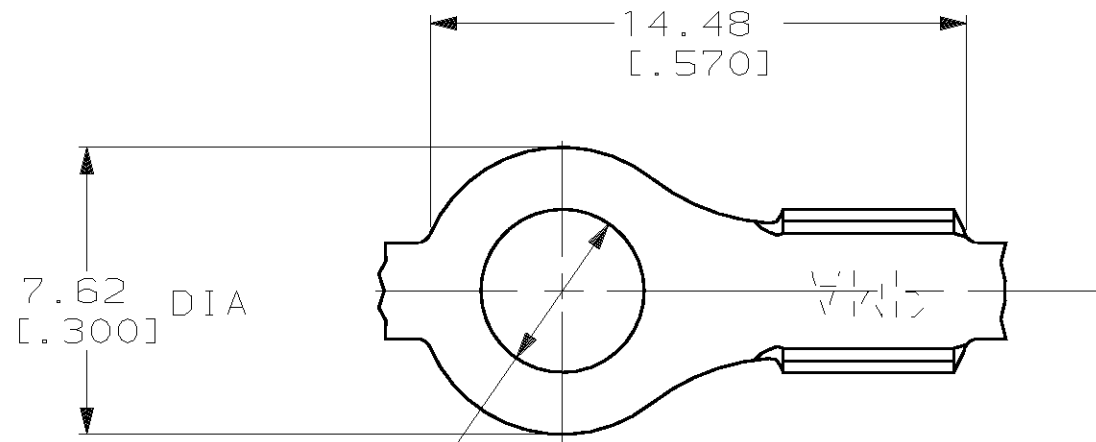


THIS DRAWING IS UNPUBLISHED. RELEASED FOR PUBLICATION, 19
 © COPYRIGHT 19 BY AMP INCORPORATED. ALL INTERNATIONAL RIGHTS RESERVED.

LOC	DIST	P	F	REVISIONS				
AF	50			ZONE	LTR	DESCRIPTION	DATE	APPD
					M	ADDED -4 PER OG3A-0084-00	11FEB00	JR/DD



- 1 CONTINUOUS STRIP ON REELS
- 2 REELED WITH INTERLEAVING PAPER.
- 3 PRELIMINARY - NOT FOR PRODUCTION

SECTION A-A
SCALE 10:1

0.8mm ² -2.0mm ² [18-14] AWG	.197	2 3	42110-4
	.197		42110-3
	.145		42110-1
WIRE RANGE	B		PART NO



F	3.56 [.140]	2.21 [.087] 2.03 [.080] 1.93 [.076]	2.0mm ² [14] 1.3mm ² [16] 0.8mm ² [18]
TYPE	WIDTH	±0.051 [±.002] HEIGHT	WIRE
			WIRE BARREL CRIMP

DO NOT SCALE PRINT. UNLESS SPECIFIED DIMENSIONS IN mm [INCHES]	DR 12/4/89 P FORTNEY
TOLERANCES ON:	CHK 12/6/89 JR RUTH
2 PLC DEC ± -	APPD 12/6/89 G YETTER
3 PLC DEC ± .015	APPD 12/6/89 R KUZO
ANGLES ± -	PRODUCT SPEC -
MATERIAL #1 HARD BRASS	APPLICATION SPEC -
FINISH -	WEIGHT -

AMP INCORPORATED Harrisburg, Pa. 17105		
NAME RING		
SIZE B	CAGE CODE 00779	DRAWING NO 42110
SCALE 5:1	SHEET 1 OF 1	